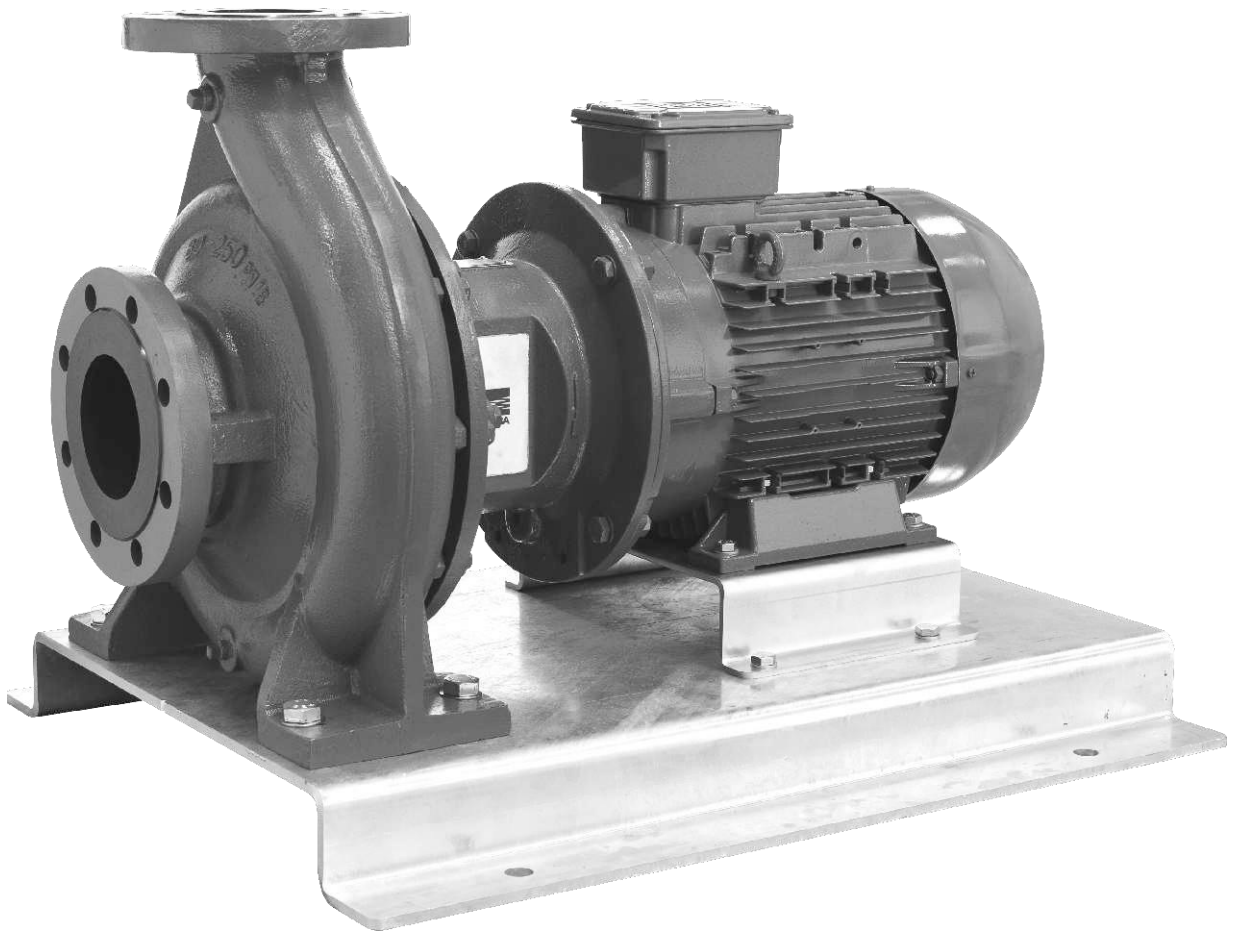


MXT10 DEEP-COIL PUMP



Features & Model code	—————	Page 1
MEI & Specifications	—————	Page 2
Sectional view & Materials	—————	Page 3
Selection Charts 2 & 4 Pole	—————	Page 4
Dimensions (on baseplate)	—————	Pages 5 to 10
Configuration (Types)	—————	Page 11

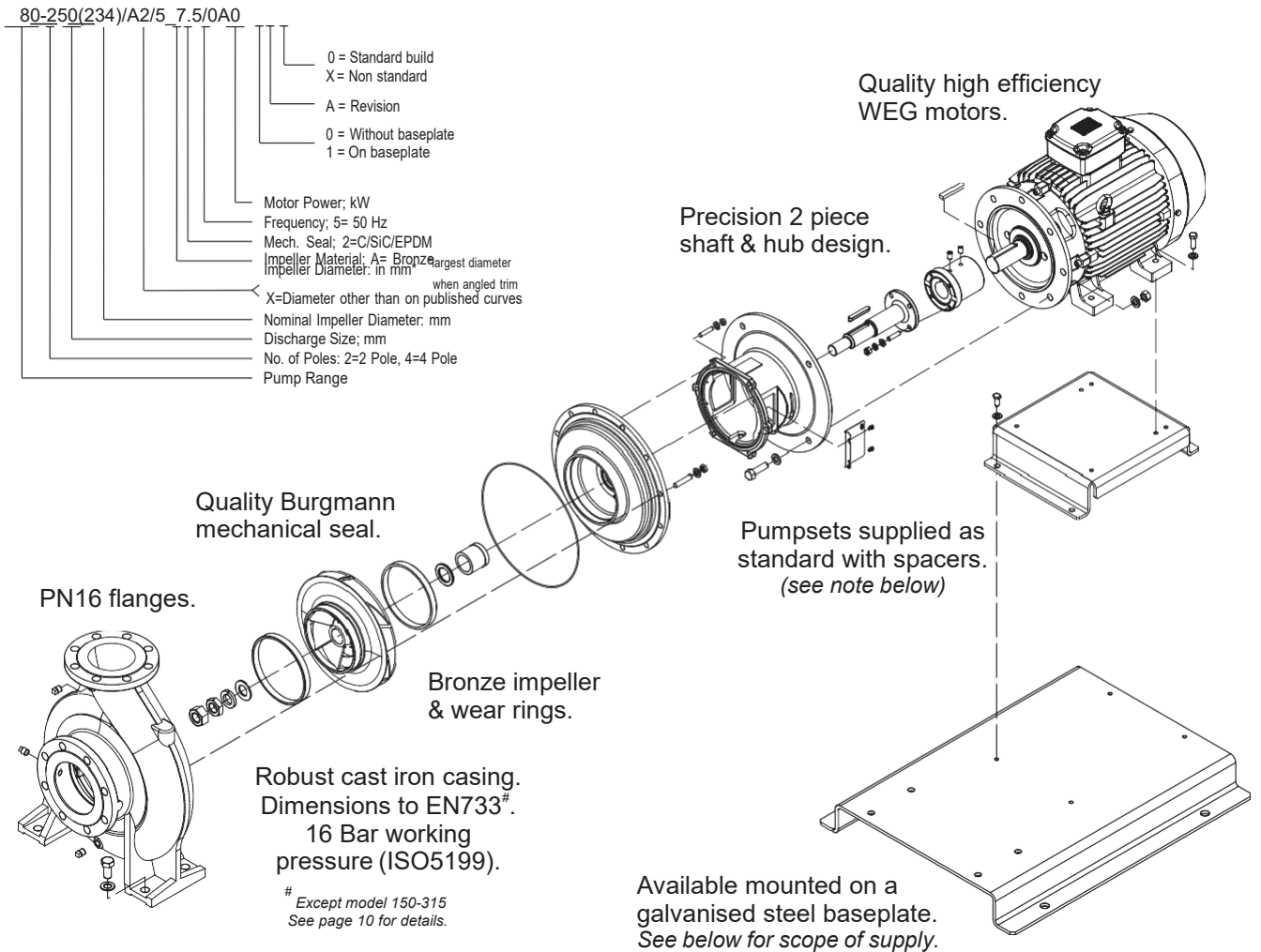
Features

A versatile high quality compact close coupled motor pump suitable for many applications where water needs to be transferred or boosted

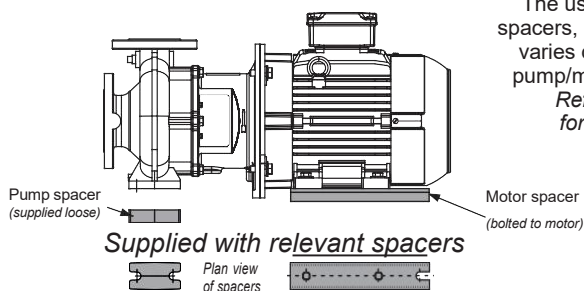
- Pump dimensions
- High efficiency hydraulic design (MEI ≥ 0.6 all models)
- Cast Iron/Bronze/Stainless steel construction
- Compact close coupled design

Applications include:-

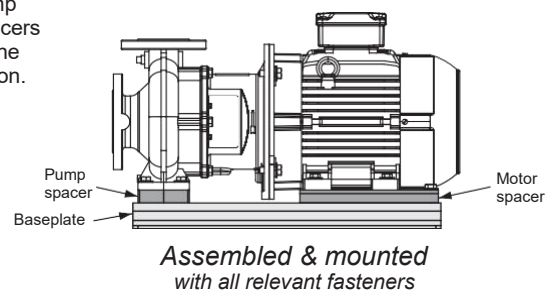
- Water supply & pressure boosting
- Building services & cooling towers
- Industrial
- Irrigation, etc.



Without Baseplate



On Baseplate



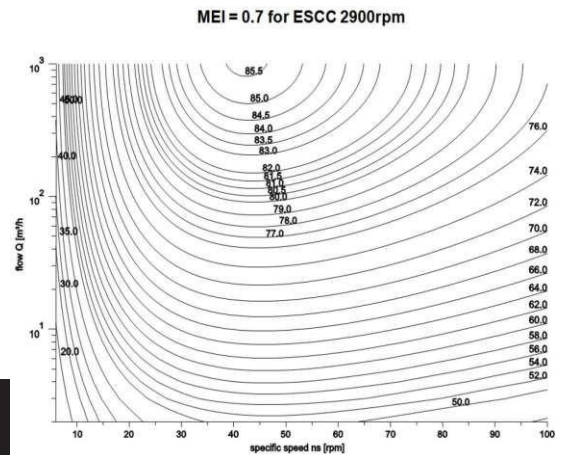
MEI - Minimum efficiency index

The Minimum Efficiency Index (MEI) was introduced in Europe as a comparative measure of a pumps efficiency. Recognising that pumping equipment is a major consumer of electrical power, this comparative measure was developed, and pumping equipment had to meet a minimum standard (MEI>0.4) to be sold in Europe after January 2021.

The MEI is based on the full size impeller, and takes into account best efficiency point as well as part load and overload efficiencies to provide a broader comparison.

Basically the higher the MEI, the higher the efficiency and comparative performance of the pumps.

The majority of the GSD range are MEI>0.7, with the balance



Specifications

>0.6, an indication of the high quality design

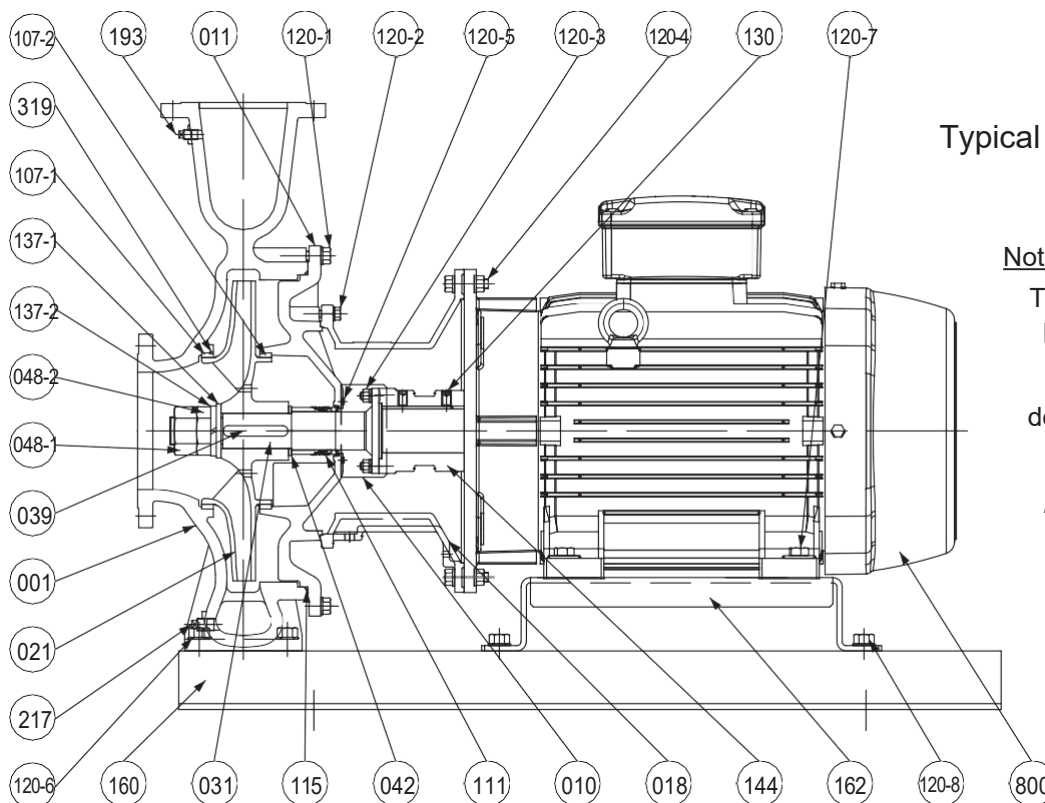
		Standard	Option
Pump	Type	Close coupled end suction motor pump to EN733 (Pump end dimensions) [#]	
	Flanges	EN PN 16 (EN 1092-2)	
Scope	Pump discharge	32 mm to 150 mm	
	Motor power	2 Pole: 1.5 to 110 kW 4 Pole: 1.1 to 75 kW	
	Performance	2 pole: (Q) 8 - 800 m ³ /hr (H) 10 - 150 m hd 4 pole: (Q) 4 - 650 m ³ /hr (H) 3 - 70 m hd	
Liquid handled	Type	Water	
	Temperature	-10° to +120°C	
Max. allowable working pressure (MAWP)		16 Bar*	
Max. allowable suction pressure (MASP)**		<16 Bar- Pump shut-off pressure (PSP)	
Construction	Impeller	Closed centrifugal	
	Shaft	Stub shaft & hub	
	Mechanical seal	Single spring, rubber bellows (to EN12756)	
Materials	Casing	Cast iron (FC250)	
	Impeller	Bronze (CAC 406)	
	Casing wear ring	Bronze (CAC 406)	
	Shaft	420 Stainless steel (<i>wetted part</i>)	
	Mechanical Seal	Carbon/SiC/EPDM	
	Back cover	Cast iron (FC250)	
	Motor bracket	Cast iron (FC250)	
	Spacers	<i>Refer page 11</i>	
Motor	Type	WEG W21	
	Efficiency Std	IE3 (or E2)	
	Enclosure	IP55	
	Insulation class	Class F	
	Motor frame material	Aluminium (up to 200 Fr.) Cast Iron (225 Fr. & above)	
Supply	Motor pump c/w spacers where required. (<i>refer to page 11 for details</i>)	On galvanised steel baseplate	

* 16 Bar rating to ISO5199

**MASP < MAWP - PSP

[#] Except model 150-315
See page 10 for details.

Sectional view & materials



Typical arrangement only

Note**

The use of stays, pump spacers, and/or motor spacers varies depending on the pump/motor combination. Refer to page 11 for more details

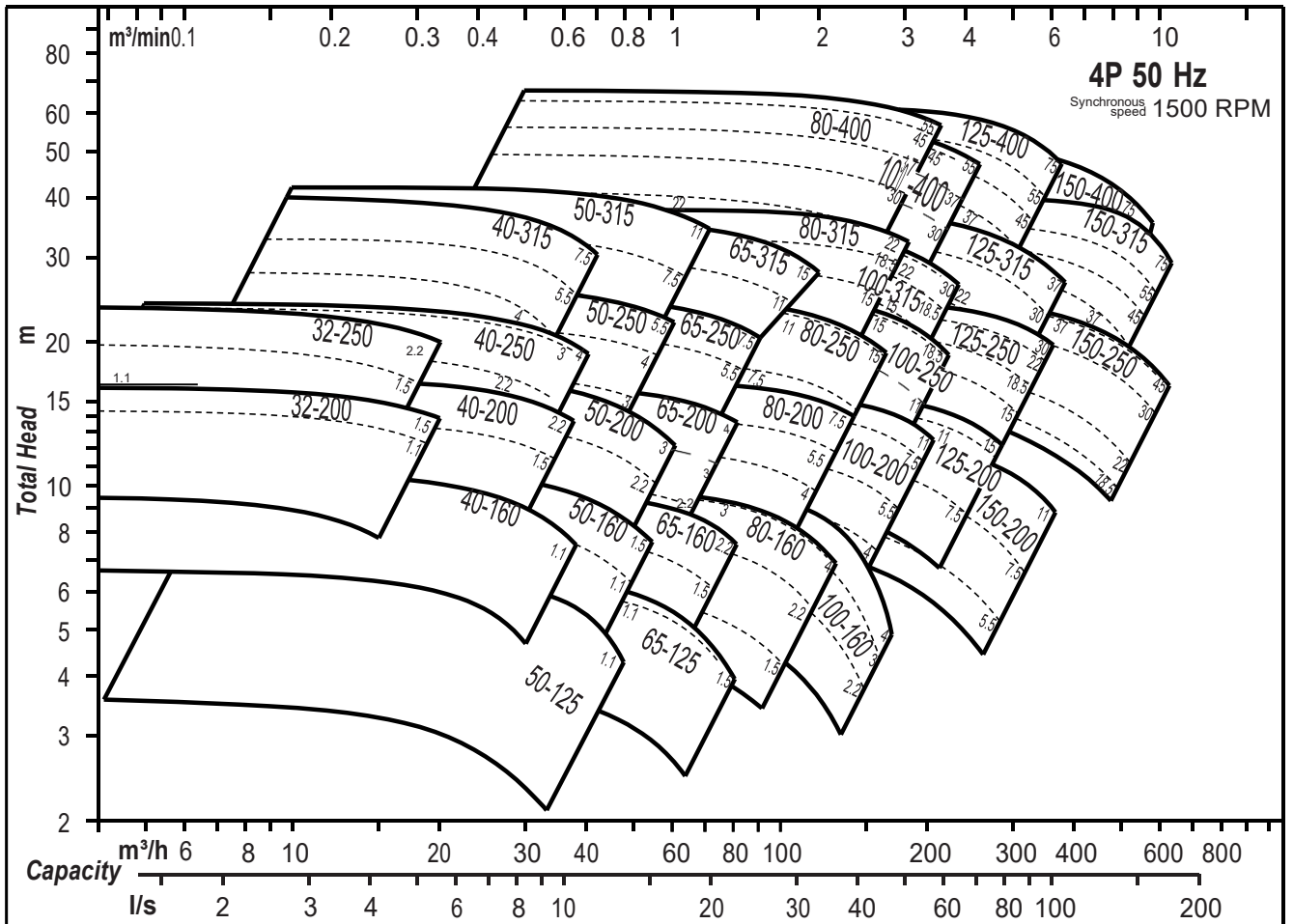
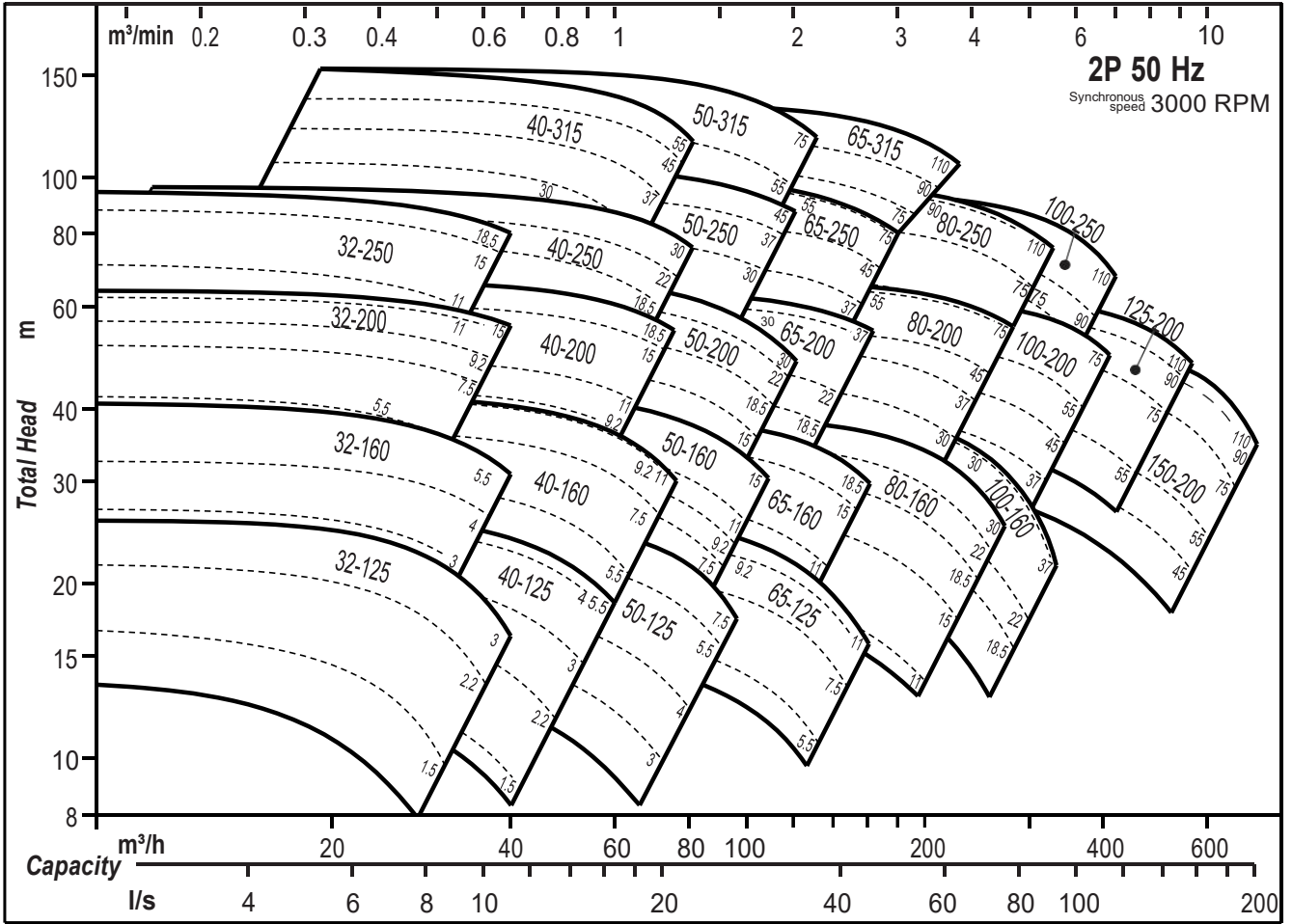
014 & 117 only applicable to size 150-400 (with double volute design)

Item No.	Part name		Materials		
001	CASING	1	Cast Iron (ED painted)	FC250	EN-GJL-250(EN-JL1040)
010	PROTECTOR	1	304 Stainless steel	SUS304	X5CrNi18-10(1.4301)
011	CASING COVER	1	Cast Iron (ED painted)	FC250	EN-GJL-250(EN-JL1040)
018	BRACKET	1	Cast Iron (ED painted)	FC250	EN-GJL-250(EN-JL1040)
021	IMPELLER	1	Bronze	CAC406	CuSn5Zn5Pb5(CC491K)
031	SHAFT	1	420 Stainless steel ^{Wetted part}	SUS420J2Q/S35C	X30Cr13(1.4028)/C35
039	KEY	1	420 Stainless steel	SUS420J2	X30Cr13(1.4028)
042	MECHANICAL SEAL SPACER	1	304 Stainless steel	SUS304	X5CrNi18-10(1.4301)
048-1	IMPELLER NUT(A)	1	304 Stainless steel	SUS304	X5CrNi18-10(1.4301)
048-2	IMPELLER NUT(B)	1	304 Stainless steel	SUS304	X5CrNi18-10(1.4301)
107-1	CASING RING	1	Bronze	CAC406	CuSn5Zn5Pb5(CC491K)
107-2	CASING RING	1	Bronze	CAC406	CuSn5Zn5Pb5(CC491K)
111	MECHANICAL SEAL	1	Elastomer bellows seal	C/SiC/EPDM/316	BQ1EGG
115	O-RING	1	Rubber	EPDM	
014#	HANDHOLE COVER#	1	Cast Iron (ED painted)	FC250	
117#	HANDHOLE GASKET#	1	(Joint sheet gasket)	V#6500	
120-X*	BOLT (with PLAIN WASHER)	X*	Steel, Zn plated	SS400	
120-3	STUD BOLT (with SPRING & PLAIN WASHER)	4	CrMo Steel (Steel, Zn plated)	SCM435/S45C/SS	AISI4135/C45/SS
130	HEXAGON SOCKET SET SCREW	2	CrMo Steel	SCM435	AISI4135
137-1	PLAIN WASHER	4	304 Stainless steel	SUS304	X5CrNi18-10(1.4301)
137-2	SPRING LOCK WASHER	4	304 Stainless steel	SUS304	X5CrNi18-10(1.4301)
144	HUB	1	Carbon Steel	S35C	C35
160	BASE	1	Galvanised Steel	SS400	
162	MOTOR SPACER**	1**		SS400 or FC150	
193	PLUG	1	Steel, Zn plated	SS	
217	PLUG	1	Steel, Zn plated	SS	
319	SPRING PIN	2	420 Stainless steel	SUS420J1	X20Cr13(1.4021)
800	MOTOR	1			

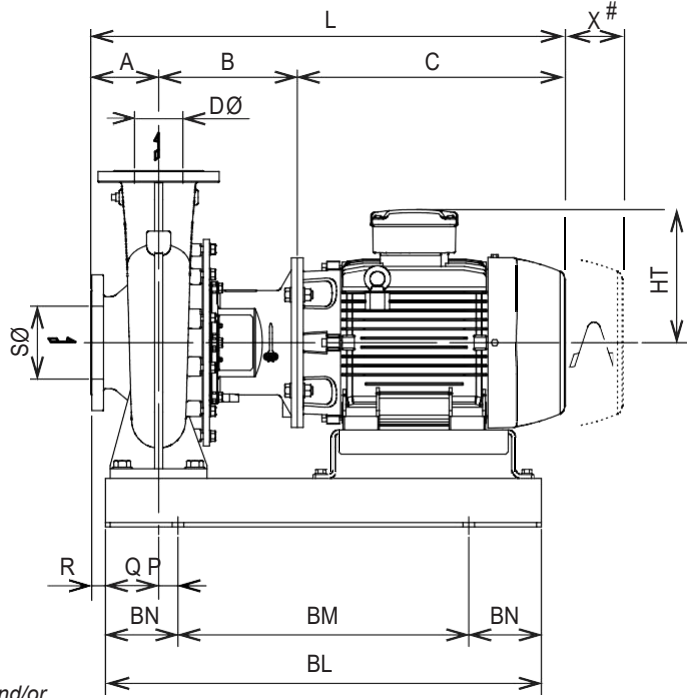
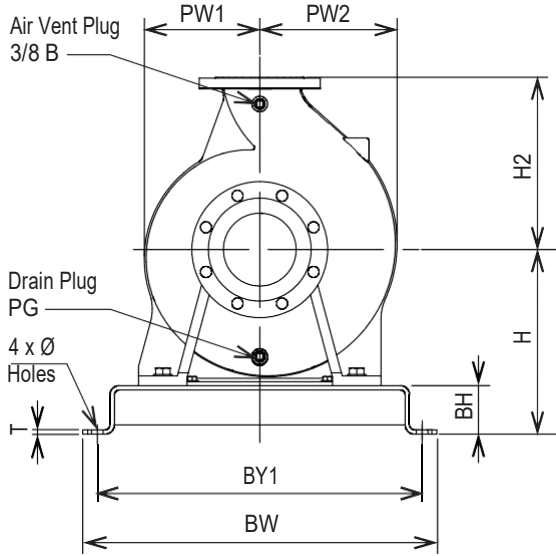
120-X* = 120-1,-2,-4,-5,-6,-7,-8,-9,-10,-11,-12 * qty depends on model

** see note next to drawing above

Selection charts



Dimensions (on baseplate)



Typical arrangement only } The use of stays, motor spacers, and/or pump spacers varies depending on the pump/motor combination. Refer to page 11 for more details on the "Types".

- X is the minimum free space required behind the motor to allow for the removal of the rotating element from the casing.

	SØ	DØ	Power kW	Motor Fr W21 IE3	Type	Dimensions - mm																				Weight kg		
						A	B	BH	BL	BM	BN	BW	BY1	C	H	H2	HT	L	P	PG	PW1	PW2	Q	R	T		Ø	X
32-125	50	32	1.5	90S/L	1A	80	176	50	450	300	75	360	320	279	162	140	155	535	15	1/4B	103	115	60	20	6	15	100	56
			2.2	90S/L	1A	80	176	50	450	300	75	360	320	279	162	140	155	535	15	1/4B	103	115	60	20	6	15	100	58
			3	100L	5A	80	186	50	550	370	90	360	320	316	182	140	165	582	30	1/4B	103	115	60	20	6	15	100	72
-160	50	32	3	100L	3A	80	186	50	600	400	100	390	350	316	182	160	165	582	40	1/4B	120	130	60	20	6	15	100	75
			4	112M	3A	80	186	50	600	400	100	390	350	333	182	160	185	599	40	1/4B	120	130	60	20	6	15	100	82
			5.5	132S	5A	80	206	50	600	400	100	390	350	410	207	160	205	696	40	1/4B	120	130	60	20	6	15	100	109
-200	50	32	5.5	132S	3A	80	206	50	600	400	100	390	350	410	210	180	205	696	40	1/4B	138	149	60	20	6	15	100	117
			7.5	132S	3A	80	206	50	600	400	100	390	350	410	210	180	205	696	40	1/4B	138	149	60	20	6	15	100	123
			9.2	132M	3A	80	206	50	600	400	100	390	350	410	210	180	205	696	40	1/4B	138	149	60	20	6	15	100	131
			11	160M/L	5A	80	236	50	800	540	130	490	440	524	230	180	255	840	70	1/4B	138	149	60	20	8	24	100	196
			15	160M/L	5A	80	236	50	800	540	130	490	440	524	230	180	255	840	70	1/4B	138	149	60	20	8	24	100	199
-250	50	32	7.5	132S	3C	100	206	50	650	430	110	490	440	410	230	225	205	716	35	1/4B	162	172	75	25	6	19	100	136
			9.2	132M	3C	100	206	50	650	430	110	490	440	410	230	225	205	716	35	1/4B	162	172	75	25	6	19	100	144
			11	160M/L	3A	100	236	50	800	540	130	490	440	524	230	225	255	860	55	1/4B	162	172	75	25	8	24	100	204
			15	160M/L	3A	100	236	50	800	540	130	490	440	524	230	225	255	860	55	1/4B	162	172	75	25	8	24	100	207
			18.5	160M/L	3A	100	236	50	800	540	130	490	440	524	230	225	255	860	55	1/4B	162	172	75	25	8	24	100	215
-125	65	40	1.5	90S/L	1A	80	176	50	550	370	90	360	320	279	162	140	155	535	30	1/4B	105	124	60	20	6	15	100	60
			2.2	90S/L	1A	80	176	50	550	370	90	360	320	279	162	140	155	535	30	1/4B	105	124	60	20	6	15	100	62
			3	100L	5A	80	186	50	550	370	90	360	320	316	182	140	165	582	30	1/4B	105	124	60	20	6	15	100	73
			4	112M	5A	80	186	50	550	370	90	360	320	333	182	140	185	599	30	1/4B	105	124	60	20	6	15	100	79
			5.5	132S	5A	80	206	50	600	400	100	390	350	410	207	140	205	696	40	1/4B	105	124	60	20	6	15	100	109
40-160	65	40	4	112M	3A	80	186	50	600	400	100	390	350	333	182	160	185	599	40	1/4B	122	140	60	20	6	15	100	84
			5.5	132S	5A	80	206	50	600	400	100	390	350	410	207	160	205	696	40	1/4B	122	140	60	20	6	15	100	112
			7.5	132S	5A	80	206	50	600	400	100	390	350	410	207	160	205	696	40	1/4B	122	140	60	20	6	15	100	118
			9.2	132M	5A	80	206	50	600	400	100	390	350	410	207	160	205	696	40	1/4B	122	140	60	20	6	15	100	126
			11	160M/L	5A	80	236	50	800	540	130	490	440	524	230	160	255	840	70	1/4B	122	140	60	20	8	24	100	191

Dimensions (on baseplate)

2 Pole models	SØ	DØ	Power kW	Motor Fr W21 IE3	Type	Dimensions - mm																		Weight kg				
						A	B	BH	BL	BM	BN	BW	BY1	C	H	H2	HT	L	P	PG	PW1	PW2	Q		R	T	Ø	X
40-200	65	40	9.2	132M	3A	100	206	50	600	400	100	390	350	410	210	180	205	716	40	1/4B	143	160	60	40	6	15	100	134
			11	160M/L	5A	100	236	50	800	540	130	490	440	524	230	180	255	860	70	1/4B	143	160	60	40	8	24	100	200
			15	160M/L	5A	100	236	50	800	540	130	490	440	524	230	180	255	860	70	1/4B	143	160	60	40	8	24	100	203
			18.5	160M/L	5A	100	236	50	800	540	130	490	440	524	230	180	255	860	70	1/4B	143	160	60	40	8	24	100	211
40-250	65	40	15	160M/L	3A	100	236	50	800	540	130	490	440	524	230	225	255	860	55	1/4B	164	176	75	25	8	24	100	209
			18.5	160M/L	3A	100	236	50	800	540	130	490	440	524	230	225	255	860	55	1/4B	164	176	75	25	8	24	100	217
			22	180M/L	2A	100	236	50	800	540	130	490	440	584	230	225	274	920	55	1/4B	164	176	75	25	8	24	100	251
			30	200M/L	5B	100	236	50	950	630	160	540	490	648	275	225	300	984	85	1/4B	164	176	75	25	8	24	100	334
40-315	65	40	30	200M/L	3B	125	261	50	950	630	160	540	490	648	275	250	300	1034	85	1/4B	201	211	75	50	8	24	100	355
			37	200M/L	3B	125	261	50	950	630	160	540	490	648	275	250	300	1034	85	1/4B	201	211	75	50	8	24	100	367
			45	225S/M2P	5B	125	261	75	950	630	160	610	550	707	325	250	373	1093	85	1/4B	201	211	75	50	10	24	100	574
			55	250S/M2P	5B	125	291	75	1120	740	190	660	600	783	355	250	373	1199	115	1/4B	201	211	75	50	10	24	100	665
-125	65	50	3	100L	3A	100	186	50	600	400	100	390	350	316	182	160	165	602	40	1/4B	120	145	60	40	6	15	100	80
			4	112M	3A	100	186	50	600	400	100	390	350	333	182	160	185	619	40	1/4B	120	145	60	40	6	15	100	86
			5.5	132S	5A	100	206	50	600	400	100	390	350	410	207	160	205	716	40	1/4B	120	145	60	40	6	15	100	114
			7.5	132S	5A	100	206	50	600	400	100	390	350	410	207	160	205	716	40	1/4B	120	145	60	40	6	15	100	120
50-160	65	50	5.5	132S	3A	100	206	50	600	400	100	390	350	410	210	180	205	716	40	1/4B	133	149	60	40	6	15	100	113
			7.5	132S	3A	100	206	50	600	400	100	390	350	410	210	180	205	716	40	1/4B	133	149	60	40	6	15	100	119
			9.2	132M	3A	100	206	50	600	400	100	390	350	410	210	180	205	716	40	1/4B	133	149	60	40	6	15	100	127
			11	160M/L	5A	100	236	50	800	540	130	490	440	524	230	180	255	860	70	1/4B	133	149	60	40	8	24	100	193
			15	160M/L	5A	100	236	50	800	540	130	490	440	524	230	180	255	860	70	1/4B	133	149	60	40	8	24	100	196
50-200	65	50	15	160M/L	5A	100	236	50	800	540	130	490	440	524	230	200	255	860	70	1/4B	144	163	60	40	8	24	100	205
			18.5	160M/L	5A	100	236	50	800	540	130	490	440	524	230	200	255	860	70	1/4B	144	163	60	40	8	24	100	213
			22	180M/L	4A	100	236	50	800	540	130	490	440	584	230	200	274	920	70	1/4B	144	163	60	40	8	24	100	247
			30	200M/L	5B	100	236	50	950	630	160	540	490	648	275	200	300	984	100	1/4B	144	163	60	40	8	24	100	328
50-250	65	50	22	180M/L	2A	100	236	50	800	540	130	490	440	584	230	225	274	920	55	1/4B	166	180	75	25	8	24	100	252
			30	200M/L	5B	100	236	50	950	630	160	540	490	648	275	225	300	984	85	1/4B	166	180	75	25	8	24	100	335
			37	200M/L	5B	100	236	50	950	630	160	540	490	648	275	225	300	984	85	1/4B	166	180	75	25	8	24	100	347
			45	225S/M2P	5B	100	236	75	950	630	160	610	550	707	325	225	373	1043	85	1/4B	166	180	75	25	10	24	100	554
50-315	65	50	45	225S/M2P	5B	125	261	75	950	630	160	610	550	707	325	280	373	1093	85	1/4B	205	220	75	50	10	24	100	578
			55	250S/M2P	5B	125	291	75	1120	740	190	660	600	783	355	280	373	1199	115	1/4B	205	220	75	50	10	24	100	670
			75	250S/M2P	5B	125	291	75	1120	740	190	660	600	783	355	280	373	1199	115	1/4B	205	220	75	50	10	24	100	700
65-125	80	65	5.5	132S	3A	100	206	50	650	430	110	450	400	410	210	180	205	716	35	1/4B	140	160	75	25	6	19	100	119
			7.5	132S	3A	100	206	50	650	430	110	450	400	410	210	180	205	716	35	1/4B	140	160	75	25	6	19	100	125
			9.2	132M	3A	100	206	50	650	430	110	450	400	410	210	180	205	716	35	1/4B	140	160	75	25	6	19	100	133
			11	160M/L	5A	100	236	50	800	540	130	490	440	524	230	180	255	860	55	1/4B	140	160	75	25	8	24	100	197
65-160	80	65	7.5	132S	3A	100	206	50	650	430	110	450	400	410	210	200	205	716	35	1/4B	146	174	75	25	6	19	100	128
			9.2	132M	3A	100	206	50	650	430	110	450	400	410	210	200	205	716	35	1/4B	146	174	75	25	6	19	100	136
			11	160M/L	5A	100	236	50	800	540	130	490	440	524	230	200	255	860	55	1/4B	146	174	75	25	8	24	100	200
			15	160M/L	5A	100	236	50	800	540	130	490	440	524	230	200	255	860	55	1/4B	146	174	75	25	8	24	100	203
			18.5	160M/L	5A	100	236	50	800	540	130	490	440	524	230	200	255	860	55	1/4B	146	174	75	25	8	24	100	211
65-200	80	65	15	160M/L	3A	100	236	50	800	540	130	490	440	524	230	225	255	860	55	1/4B	160	177	75	25	8	24	140	206
			18.5	160M/L	3A	100	236	50	800	540	130	490	440	524	230	225	255	860	55	1/4B	160	177	75	25	8	24	140	214
			22	180M/L	2A	100	236	50	800	540	130	490	440	584	230	225	274	920	55	1/4B	160	177	75	25	8	24	140	248
			30	200M/L	5B	100	236	50	950	630	160	540	490	648	275	225	300	984	85	1/4B	160	177	75	25	8	24	140	331
			37	200M/L	5B	100	236	50	950	630	160	540	490	648	275	225	300	984	85	1/4B	160	177	75	25	8	24	140	343

Dimensions (on baseplate)

2 Pole models	SØ	DØ	Power kW	Motor Fr W21 IE3	Type	Dimensions - mm																		Weight kg				
						A	B	BH	BL	BM	BN	BW	BY1	C	H	H2	HT	L	P	PG	PW1	PW2	Q		R	T	Ø	X
65-250	80	65	30	200M/L	5B	100	261	50	950	630	160	540	490	648	275	250	300	1009	70	1/4B	182	207	90	10	8	24	140	350
			37	200M/L	5B	100	261	50	950	630	160	540	490	648	275	250	300	1009	70	1/4B	182	207	90	10	8	24	140	362
			45	225S/M2P	5B	100	261	75	950	630	160	610	550	707	325	250	373	1068	70	1/4B	182	207	90	10	10	24	140	570
			55	250S/M2P	5B	100	291	75	1120	740	190	660	600	783	355	250	373	1174	100	1/4B	182	207	90	10	10	24	140	664
			75	250S/M2P	5B	100	291	75	1120	740	190	660	600	783	355	250	373	1174	100	1/4B	182	207	90	10	10	24	140	694
65-315	80	65	75	250S/M2P	5B	125	291	75	1120	740	190	660	600	783	355	280	373	1199	100	1/4B	205	223	90	35	10	24	140	704
			90	280S/M2P	4A	125	291	100	1120	740	190	730	670	896	380	280	468	1312	100	1/4B	205	223	90	35	10	24	140	982
			110	280S/M2P	4A	125	291	100	1120	740	190	730	670	896	380	280	468	1312	100	1/4B	205	223	90	35	10	24	140	1032
80-160	100	80	11	160M/L	3A	125	236	50	800	540	130	490	440	524	230	225	255	885	55	1/4B	160	194	75	50	8	24	140	207
			15	160M/L	3A	125	236	50	800	540	130	490	440	524	230	225	255	885	55	1/4B	160	194	75	50	8	24	140	210
			18.5	160M/L	3A	125	236	50	800	540	130	490	440	524	230	225	255	885	55	1/4B	160	194	75	50	8	24	140	218
			22	180M/L	2A	125	236	50	800	540	130	490	440	584	230	225	274	945	55	1/4B	160	194	75	50	8	24	140	251
			30	200M/L	5B	125	236	50	950	630	160	540	490	648	275	225	300	1009	85	1/4B	160	194	75	50	8	24	140	335
80-200	100	80	22	180M/L	2A	125	261	50	800	540	130	490	440	584	230	250	274	970	55	1/4B	173	196	75	50	8	24	140	259
			30	200M/L	5B	125	261	50	950	630	160	540	490	648	275	250	300	1034	85	1/4B	173	196	75	50	8	24	140	343
			37	200M/L	5B	125	261	50	950	630	160	540	490	648	275	250	300	1034	85	1/4B	173	196	75	50	8	24	140	355
			45	225S/M2P	5B	125	261	75	950	630	160	610	550	707	325	250	373	1093	85	1/4B	173	196	75	50	10	24	140	561
			55	250S/M2P	5B	125	291	75	1120	740	190	660	600	783	355	250	373	1199	115	1/4B	173	196	75	50	10	24	140	653
80-250	100	80	75	250S/M2P	5B	125	291	75	1120	740	190	660	600	783	355	280	373	1199	115	1/4B	173	196	75	50	10	24	140	683
			90	280S/M2P	4A	125	291	100	1120	740	190	730	670	896	380	280	468	1312	100	1/4B	200	216	90	35	10	24	140	978
			110	280S/M2P	4A	125	291	100	1120	740	190	730	670	896	380	280	468	1312	100	1/4B	200	216	90	35	10	24	140	1028
100-160	125	100	15	160M/L	6A	125	261	50	950	630	160	540	490	524	250	250	255	910	70	3/8B	180	190	90	35	8	24	140	234
			18.5	160M/L	6A	125	261	50	950	630	160	540	490	524	250	250	255	910	70	3/8B	180	190	90	35	8	24	140	242
			22	180M/L	3B	125	261	50	950	630	160	540	490	584	250	250	274	970	70	3/8B	180	190	90	35	8	24	140	274
			30	200M/L	5B	125	261	50	950	630	160	540	490	648	275	250	300	1034	70	3/8B	180	190	90	35	8	24	140	342
			37	200M/L	5B	125	261	50	950	630	160	540	490	648	275	250	300	1034	70	3/8B	180	190	90	35	8	24	140	354
100-200	125	100	30	200M/L	5B	125	261	50	950	630	160	540	490	648	275	280	300	1034	70	3/8B	182	220	90	35	8	24	140	359
			37	200M/L	5B	125	261	50	950	630	160	540	490	648	275	280	300	1034	70	3/8B	182	220	90	35	8	24	140	371
			45	225S/M2P	5B	125	261	75	950	630	160	610	550	707	325	280	373	1093	70	3/8B	182	220	90	35	10	24	140	579
			55	250S/M2P	5B	125	291	75	1120	740	190	660	600	783	355	280	373	1199	100	3/8B	182	220	90	35	10	24	140	673
			75	250S/M2P	5B	125	291	75	1120	740	190	660	600	783	355	280	373	1199	100	3/8B	182	220	90	35	10	24	140	703
100-250	125	100	55	250S/M2P	5B	140	291	75	1120	740	190	660	600	783	355	280	373	1214	100	3/8B	200	215	90	50	10	24	140	671
			75	250S/M2P	5B	140	291	75	1120	740	190	660	600	783	355	280	373	1214	100	3/8B	200	215	90	50	10	24	140	701
			90	280S/M2P	4A	140	291	100	1120	740	190	730	670	896	380	280	468	1327	100	3/8B	200	215	90	50	10	24	140	978
			110	280S/M2P	4A	140	291	100	1120	740	190	730	670	896	380	280	468	1327	100	3/8B	200	215	90	50	10	24	140	1028
125-200	150	125	55	250S/M2P	5B	140	291	75	1120	740	190	660	600	783	355	315	373	1214	100	3/8B	200	247	90	50	10	24	140	679
			75	250S/M2P	5B	140	291	75	1120	740	190	660	600	783	355	315	373	1214	100	3/8B	200	247	90	50	10	24	140	709
			90	280S/M2P	4A	140	291	100	1120	740	190	730	670	896	380	315	468	1327	100	3/8B	200	247	90	50	10	24	140	987
			110	280S/M2P	4A	140	291	100	1120	740	190	730	670	896	380	315	468	1327	100	3/8B	200	247	90	50	10	24	140	1037
150-200	200	150	37	200M/L	6A	160	261	100	1000	660	170	730	670	648	380	355	300	1069	60	3/8B	250	273	110	50	10	24	140	474
			45	225S/M2P	6A	160	261	100	1000	660	170	730	670	707	380	355	373	1128	60	3/8B	250	273	110	50	10	24	140	655
			55	250S/M2P	3B	160	291	100	1120	740	190	730	670	783	380	355	373	1234	80	3/8B	250	273	110	50	10	24	140	720
			75	250S/M2P	3B	160	291	100	1120	740	190	730	670	783	380	355	373	1234	80	3/8B	250	273	110	50	10	24	140	750
			90	280S/M2P	2A	160	291	100	1120	740	190	730	670	896	380	355	468	1347	80	3/8B	250	273	110	50	10	24	140	1019
110	280S/M2P	2A	160	291	100	1120	740	190	730	670	896	380	355	468	1347	80	3/8B	250	273	110	50	10	24	140	1069			

Dimensions (on baseplate)

4 Pole models	SØ	DØ	Power kW	Motor Fr W21 IE3	Type	Dimensions - mm																				Weight kg		
						A	B	BH	BL	BM	BN	BW	BY1	C	H	H2	HT	L	P	PG	PW1	PW2	Q	R	T		Ø	X
TST171-4 32-2	050	32	1.1	90S/L	1A	80	176	50	450	300	75	390	350	279	210	180	155	535	15	1/4B	138	149	60	20	6	15	100	69
			1.5	90S/L	1A	80	176	50	450	300	75	390	350	279	210	180	155	535	15	1/4B	138	149	60	20	6	15	100	70
TST171-4 32-2	050	32	1.1	90S/L	1A	100	176	50	650	430	110	490	440	279	230	225	155	555	35	1/4B	162	172	75	25	6	19	100	86
			1.5	90S/L	1A	100	176	50	650	430	110	490	440	279	230	225	155	555	35	1/4B	162	172	75	25	6	19	100	88
			2.2	100L	3C	100	186	50	650	430	110	490	440	316	230	225	165	602	35	1/4B	162	172	75	25	6	19	100	100
TST171-4 40-1	065	40	1.1	90S/L	1A	80	176	50	450	300	75	390	350	279	182	160	155	535	15	1/4B	122	140	60	20	6	15	100	62
TST171-4 40-2	065	40	1.1	90S/L	1A	100	176	50	450	300	75	390	350	279	210	180	155	555	15	1/4B	143	160	60	40	6	15	100	72
			1.5	90S/L	1A	100	176	50	450	300	75	390	350	279	210	180	155	555	15	1/4B	143	160	60	40	6	15	100	74
			2.2	100L	3C	100	186	50	600	400	100	390	350	316	210	180	165	602	40	1/4B	143	160	60	40	6	15	100	90
TST171-4 40-2	065	40	2.2	100L	3C	100	186	50	650	430	110	490	440	316	230	225	165	602	35	1/4B	164	176	75	25	6	19	100	102
			3	100L	3C	100	186	50	650	430	110	490	440	316	230	225	165	602	35	1/4B	164	176	75	25	6	19	100	107
			4	112M	6B	100	186	50	650	430	110	490	440	333	230	225	185	619	35	1/4B	164	176	75	25	6	19	100	110
			4	112M	1A	125	211	50	650	430	110	490	440	333	275	250	185	669	35	1/4B	201	211	75	50	6	19	100	137
TST171-4 40-3	565	40	5.5	132S	6B	125	231	50	650	430	110	490	440	410	275	250	205	766	35	1/4B	201	211	75	50	6	19	100	155
			7.5	132M	6B	125	231	50	650	430	110	490	440	410	275	250	205	766	35	1/4B	201	211	75	50	6	19	100	163
			1.1	90S/L	1A	100	176	50	450	300	75	390	350	279	210	180	155	555	15	1/4B	120	145	60	40	6	15	100	64
TST171-4 50-1	065	50	1.1	90S/L	1A	100	176	50	450	300	75	390	350	279	210	180	155	555	15	1/4B	133	149	60	40	6	15	100	65
			1.5	90S/L	1A	100	176	50	450	300	75	390	350	279	210	180	155	555	15	1/4B	133	149	60	40	6	15	100	67
TST171-4 50-2	065	50	2.2	100L	3C	100	186	50	600	400	100	390	350	316	210	200	165	602	40	1/4B	144	163	60	40	6	15	100	93
			3	100L	3C	100	186	50	600	400	100	390	350	316	210	200	165	602	40	1/4B	144	163	60	40	6	15	100	98
TST171-4 50-2	065	50	3	100L	3C	100	186	50	650	430	110	490	440	316	230	225	165	602	35	1/4B	166	180	75	25	6	19	100	108
			4	112M	6B	100	186	50	650	430	110	490	440	333	230	225	185	619	35	1/4B	166	180	75	25	6	19	100	111
			5.5	132S	3C	100	206	50	650	430	110	490	440	410	230	225	205	716	35	1/4B	166	180	75	25	6	19	100	129
			5.5	132S	6B	125	231	50	650	430	110	490	440	410	275	280	205	766	35	1/4B	205	220	75	50	6	19	100	159
TST171-4 50-3	565	50	7.5	132M	6B	125	231	50	650	430	110	490	440	410	275	280	205	766	35	1/4B	205	220	75	50	6	19	100	167
			11	160M/L	6A	125	261	50	800	540	130	490	440	524	275	280	255	910	55	1/4B	205	220	75	50	8	24	100	241
			1.1	90S/L	1A	100	176	50	500	330	85	450	400	279	210	180	155	555	10	1/4B	140	160	75	25	6	15	100	72
TST171-4 65-1	580	65	1.5	90S/L	1A	100	176	50	500	330	85	450	400	279	210	180	155	555	10	1/4B	140	160	75	25	6	15	100	73
			1.1	90S/L	1A	100	176	50	500	330	85	450	400	279	210	200	155	555	10	1/4B	146	174	75	25	6	15	100	75
TST171-4 65-1	080	65	1.5	90S/L	1A	100	176	50	500	330	85	450	400	279	210	200	155	555	10	1/4B	146	174	75	25	6	15	100	76
			2.2	100L	3C	100	186	50	650	430	110	450	400	316	210	200	165	602	35	1/4B	146	174	75	25	6	19	100	92
			2.2	100L	3C	100	186	50	650	430	110	490	440	316	230	225	165	602	35	1/4B	160	177	75	25	6	19	140	100
TST171-4 65-2	080	65	3	100L	3C	100	186	50	650	430	110	490	440	316	230	225	165	602	35	1/4B	160	177	75	25	6	19	140	104
			4	112M	6B	100	186	50	650	430	110	490	440	333	230	225	185	619	35	1/4B	160	177	75	25	6	19	140	107
			4	112M	6B	100	211	50	700	470	115	540	490	333	250	250	185	644	25	1/4B	182	207	90	10	8	19	140	135
TST171-4 65-2	080	65	5.5	132S	6B	100	231	50	700	470	115	540	490	410	250	250	205	741	25	1/4B	182	207	90	10	8	19	140	144
			7.5	132M	6B	100	231	50	700	470	115	540	490	410	250	250	205	741	25	1/4B	182	207	90	10	8	19	140	161
			11	160M/L	6A	125	261	75	950	630	160	610	550	524	300	280	255	910	70	1/4B	205	223	90	35	10	24	140	272
TST171-4 65-3	580	65	15	160M/L	6A	125	261	75	950	630	160	610	550	524	300	280	255	910	70	1/4B	205	223	90	35	10	24	140	281
			1.5	90S/L	1A	125	176	50	650	430	110	490	440	279	230	225	155	580	35	1/4B	160	194	75	50	6	19	140	91
TST171-4 80-161000		80	2.2	100L	3C	125	186	50	650	430	110	490	440	316	230	225	165	627	35	1/4B	160	194	75	50	6	19	140	103
			3	100L	3C	125	186	50	650	430	110	490	440	316	230	225	165	627	35	1/4B	160	194	75	50	6	19	140	108
			4	112M	6B	125	186	50	650	430	110	490	440	333	230	225	185	644	35	1/4B	160	194	75	50	6	19	140	111
			3	100L	3C	125	211	50	650	430	110	490	440	316	230	250	165	652	35	1/4B	173	196	75	50	6	19	140	116
TST171-4 80-201000		80	4	112M	6B	125	211	50	650	430	110	490	440	333	230	250	185	669	35	1/4B	173	196	75	50	6	19	140	119
			5.5	132S	3C	125	231	50	650	430	110	490	440	410	230	250	205	766	35	1/4B	173	196	75	50	6	19	140	137
			7.5	132M	3C	125	231	50	650	430	110	490	440	410	230	250	205	766	35	1/4B	173	196	75	50	6	19	140	145

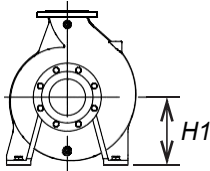
Dimensions (on baseplate)

4 Pole models	SØ	DØ	Power kW	Motor Fr W21 IE3	Type	Dimensions - mm																			Weight kg			
						A	B	BH	BL	BM	BN	BW	BY1	C	H	H2	HT	L	P	PG	PW1	PW2	Q	R		T	Ø	X
TST171-4 80-251000		80	7.5	132M	6B	125	231	75	750	500	125	610	550	410	250	280	205	766	35	1/4B	200	216	90	35	8	19	140	176
			11	160M/L	6A	125	261	75	950	630	160	610	550	524	275	280	255	910	70	1/4B	200	216	90	35	10	24	140	261
			15	160M/L	6A	125	261	75	950	630	160	610	550	524	275	280	255	910	70	1/4B	200	216	90	35	10	24	140	270
TST171- 80-315100		80	11	160M/L	6A	125	261	75	950	630	160	610	550	524	325	315	255	910	70	1/4B	217	247	90	35	10	24	140	294
			15	160M/L	6A	125	261	75	950	630	160	610	550	524	325	315	255	910	70	1/4B	217	247	90	35	10	24	140	303
			18.5	180M/L	6A	125	261	75	950	630	160	610	550	584	325	315	274	970	70	1/4B	217	247	90	35	10	24	140	354
			22	180M/L	6A	125	261	75	950	630	160	610	550	584	325	315	274	970	70	1/4B	217	247	90	35	10	24	140	367
TST171-4 80-401000		80	22	180M/L	6A	125	286	75	950	630	160	610	550	584	355	355	274	995	70	1/4B	268	296	90	35	10	24	140	431
			30	200M/L	6A	125	286	75	1120	740	190	660	600	648	355	355	300	1059	100	1/4B	268	296	90	35	10	24	140	504
			37	225S/M4P	6A	125	316	75	1120	740	190	660	600	707	355	355	373	1148	100	1/4B	268	296	90	35	10	24	140	655
			45	225S/M4P	6A	125	316	75	1120	740	190	660	600	707	355	355	373	1148	100	1/4B	268	296	90	35	10	24	140	675
TST171-4 100-161025		100	2.2	100L	1A	125	211	50	700	470	115	540	490	316	250	250	165	652	25	3/8B	180	190	90	35	8	19	140	121
			3	100L	1A	125	211	50	700	470	115	540	490	316	250	250	165	652	25	3/8B	180	190	90	35	8	19	140	125
			4	112M	6B	125	211	50	700	470	115	540	490	333	250	250	185	669	25	3/8B	180	190	90	35	8	19	140	128
TST171-4 100-201025		100	3	100L	1A	125	211	50	700	470	115	540	490	316	250	280	165	652	25	3/8B	182	220	90	35	8	19	140	142
			4	112M	6B	125	211	50	700	470	115	540	490	333	250	280	185	669	25	3/8B	182	220	90	35	8	19	140	145
			5.5	132S	6B	125	231	50	700	470	115	540	490	410	250	280	205	766	25	3/8B	182	220	90	35	8	19	140	163
			7.5	132M	6B	125	231	50	700	470	115	540	490	410	250	280	205	766	25	3/8B	182	220	90	35	8	19	140	171
TST171-4 100-251025		100	11	160M/L	6A	125	261	50	950	630	160	540	490	524	250	280	255	910	70	3/8B	182	220	90	35	8	24	140	243
			7.5	132M	6B	140	231	50	750	500	125	610	550	410	275	280	205	781	35	3/8B	200	215	90	50	8	19	140	182
			11	160M/L	6A	140	261	75	950	630	160	610	550	524	300	280	255	925	70	3/8B	200	215	90	50	10	24	140	268
			15	160M/L	6A	140	261	75	950	630	160	610	550	524	300	280	255	925	70	3/8B	200	215	90	50	10	24	140	277
TST171-4 100-31525		100	18.5	180M/L	6A	140	261	75	950	630	160	610	550	584	300	280	274	985	70	3/8B	200	215	90	50	10	24	140	329
			11	160M/L	6A	140	261	75	950	630	160	610	550	524	325	315	255	925	70	3/8B	200	227	90	50	10	24	140	295
			15	160M/L	6A	140	261	75	950	630	160	610	550	524	325	315	255	925	70	3/8B	200	227	90	50	10	24	140	304
			18.5	180M/L	6A	140	261	75	950	630	160	610	550	584	325	315	274	985	70	3/8B	200	227	90	50	10	24	140	356
TST171-4 100-31525		100	22	180M/L	6A	140	261	75	950	630	160	610	550	584	325	315	274	985	70	3/8B	200	227	90	50	10	24	140	369
			30	200M/L	6A	140	261	75	950	630	160	610	550	648	325	315	300	1049	70	3/8B	200	227	90	50	10	24	140	426
			18.5	180M/L	6A	140	286	100	1000	660	170	730	670	584	380	355	274	1010	60	3/8B	264	291	110	30	10	24	140	454
			22	180M/L	6A	140	286	100	1000	660	170	730	670	584	380	355	274	1010	60	3/8B	264	291	110	30	10	24	140	467
TST171-4 100-401025		100	30	200M/L	6A	140	286	100	1120	740	190	730	670	648	380	355	300	1074	80	3/8B	264	291	110	30	10	24	140	531
			37	225S/M4P	6A	140	316	100	1120	740	190	730	670	707	380	355	373	1163	80	3/8B	264	291	110	30	10	24	140	683
			45	225S/M4P	6A	140	316	100	1120	740	190	730	670	707	380	355	373	1163	80	3/8B	264	291	110	30	10	24	140	703
			55	250S/M4P	3B	140	316	100	1120	740	190	730	670	783	380	355	373	1239	80	3/8B	264	291	110	30	10	24	140	772
TST171-4 125-201025		125	5.5	132S	6B	140	231	75	750	500	125	610	550	410	300	315	205	781	35	3/8B	200	247	90	50	8	19	140	187
			7.5	132M	6B	140	231	75	750	500	125	610	550	410	300	315	205	781	35	3/8B	200	247	90	50	8	19	140	195
			11	160M/L	6A	140	261	75	950	630	160	610	550	524	325	315	255	925	70	3/8B	200	247	90	50	10	24	140	283
			15	160M/L	6A	140	261	75	950	630	160	610	550	524	325	315	255	925	70	3/8B	200	247	90	50	10	24	140	292
TST171-4 125-251025		125	11	160M/L	6A	140	261	75	950	630	160	610	550	524	325	355	255	925	70	3/8B	215	268	90	50	10	24	140	301
			15	160M/L	6A	140	261	75	950	630	160	610	550	524	325	355	255	925	70	3/8B	215	268	90	50	10	24	140	310
			18.5	180M/L	6A	140	261	75	950	630	160	610	550	584	325	355	274	985	70	3/8B	215	268	90	50	10	24	140	361
			22	180M/L	6A	140	261	75	950	630	160	610	550	584	325	355	274	985	70	3/8B	215	268	90	50	10	24	140	374
TST171-4 125-3150		150	18.5	180M/L	6A	140	286	100	1000	660	170	730	670	584	380	355	274	1010	60	3/8B	250	282	110	30	10	24	140	417
			22	180M/L	6A	140	286	100	1000	660	170	730	670	584	380	355	274	1010	60	3/8B	250	282	110	30	10	24	140	430
			30	200M/L	6A	140	286	100	1120	740	190	730	670	648	380	355	300	1074	80	3/8B	250	282	110	30	10	24	140	495
			37	225S/M4P	6A	140	316	100	1120	740	190	730	670	709	380	355	373	1163	80	3/8B	250	282	110	30	10	24	140	646

Dimensions (on baseplate)

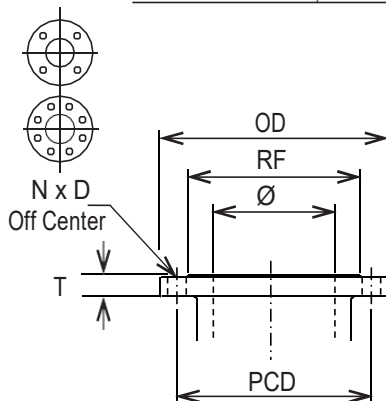
	SØ	DØ	Power kW	Motor Fr W21 IE3	Type	Dimensions - mm																			Weight kg				
						A	B	BH	BL	BM	BN	BW	BY1	C	H	H2	HT	L	P	PG	PW1	PW2	Q	R		T	Ø	X	
TST171-4	125-4	01000	125	30	200M/L	6A	140	286	100	1120	740	190	730	670	648	415	400	300	1074	80	3/8B	274	312	110	30	10	24	140	542
				37	225S/M4P	6A	140	316	100	1120	740	190	730	670	707	415	400	373	1163	80	3/8B	274	312	110	30	10	24	140	696
				45	225S/M4P	6A	140	316	100	1120	740	190	730	670	707	415	400	373	1163	80	3/8B	274	312	110	30	10	24	140	716
				55	250S/M4P	6A	140	316	100	1120	740	190	730	670	783	415	400	373	1239	80	3/8B	274	312	110	30	10	24	140	796
				75	L250S/M	6A	140	316	100	1120	740	190	730	670	833	415	400	378	1289	80	3/8B	274	312	110	30	10	24	140	857
TST171-4	150-2	02000	150	5.5	132S	6B	160	231	100	1000	660	170	730	670	410	380	355	205	801	60	3/8B	250	273	110	50	10	24	140	268
				7.5	132M	6B	160	231	100	1000	660	170	730	670	410	380	355	205	801	60	3/8B	250	273	110	50	10	24	140	276
				11	160M/L	6A	160	261	100	1000	660	170	730	670	524	380	355	255	945	60	3/8B	250	273	110	50	10	24	140	343
TST171-4	150-2	52000	150	18.5	180M/L	6A	160	286	100	1000	660	170	730	670	584	380	375	274	1030	60	3/8B	250	300	110	50	10	24	140	439
				22	180M/L	6A	160	286	100	1000	660	170	730	670	584	380	375	274	1030	60	3/8B	250	300	110	50	10	24	140	452
				30	200M/L	6A	160	286	100	1120	740	190	730	670	648	380	375	300	1094	80	3/8B	250	300	110	50	10	24	140	516
				37	225S/M4P	6A	160	316	100	1120	740	190	730	670	709	380	375	373	1183	80	3/8B	250	300	110	50	10	24	140	668
				45	225S/M4P	6A	160	316	100	1120	740	190	730	670	709	380	375	373	1183	80	3/8B	250	300	110	50	10	24	140	688
** TST171-4 150-315	200	150	150	22	180M/L	6A	160	286	100	1000	660	170	730	670	584	415	400	274	1030	60	3/8B	275	319	110	50	10	24	140	468
				30	200M/L	6A	160	286	100	1120	740	190	730	670	648	415	400	300	1094	80	3/8B	275	319	110	50	10	24	140	533
				37	225S/M4P	6A	160	316	100	1120	740	190	730	670	707	415	400	373	1183	80	3/8B	275	319	110	50	10	24	140	686
				45	225S/M4P	6A	160	316	100	1120	740	190	730	670	707	415	400	373	1183	80	3/8B	275	319	110	50	10	24	140	706
				55	250S/M4P	6A	160	316	100	1120	740	190	730	670	783	415	400	373	1259	80	3/8B	275	319	110	50	10	24	140	786
				75	L250S/M	6A	160	316	100	1120	740	190	730	670	833	415	400	378	1309	80	3/8B	275	319	110	50	10	24	140	847
TST171-4	150-4	02000	150	37	225S/M4P	6A	160	316	100	1120	740	190	730	670	707	415	450	373	1183	80	1/2B	277	393	110	50	10	24	140	745
				45	225S/M4P	6A	160	316	100	1120	740	190	730	670	707	415	450	373	1183	80	1/2B	277	393	110	50	10	24	140	765
				55	250S/M4P	6A	160	316	100	1120	740	190	730	670	783	415	450	373	1259	80	1/2B	277	393	110	50	10	24	140	845
				75	L250S/M	6A	160	316	100	1120	740	190	730	670	833	415	450	378	1309	80	1/2B	277	393	110	50	10	24	140	948

** For 150-315 dimension H1 is 35mm higher than EN standard



PN 16 Flange dimensions

EN PN 16 FLANGES, Cast Iron

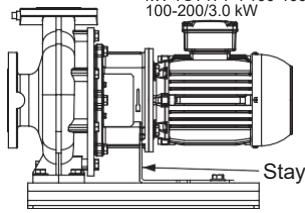


Model	Suction Flange						Discharge Flange					
	SØ	OD	PCD	RF	T	N x D	DØ	OD	PCD	RF	T	N x D
TST171 3	50	165	125	99	20	4x19Ø	32	140	100	76	18	4x19Ø
TST171 4	65	185	145	118	20	4x19Ø	40	150	110	84	18	4x19Ø
TST171 5	65	185	145	118	20	4x19Ø	50	165	125	99	20	4x19Ø
TST171 6	80	200	160	132	22	8x19Ø	65	185	145	118	20	4x19Ø
TST171 8	100	220	180	156	24	8x19Ø	80	200	160	132	22	8x19Ø
TST171 10	125	250	210	184	26	8x19Ø	100	220	180	156	24	8x19Ø
TST171 12	150	285	240	211	26	8x23Ø	125	250	210	184	26	8x19Ø
TST171 15	200	340	295	266	30	12x23Ø	150	285	240	211	26	8x23Ø

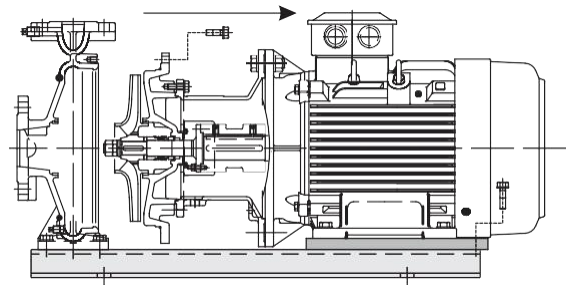
Configurations

Pumpsets with motors over 90 frame* are fitted with spacers for ease of installation and maintenance. There are various types and combinations of spacers depending on the model. The motors are bolted to the motor spacers, so that the complete rotating element with motor and spacers is a single rigid assembly that can be "slid" back for ease of maintenance and reassembly.

* following models use a stay instead of motor spacers
 TST171-4 40-315/4.0 kW GSD4 100-160/3.0 kW
 TST171-4 100-160/2.2 kW TST171-4 100-200/3.0 kW



All models with 90 frame motors (and the 4 models above) have a single stay as shown on the drawing.



Stay

Applies to 90 frame motors*
 * plus
 GSD4 40-315/4.0 kW GSD4 100-160/3.0 kW
 GSD4 100-160/2.2 kW GSD4 100-200/3.0 kW

1A

No spacers

2A

Motor spacers

3A
(Folded Channel/Zn)

3B
(Solid bar/paint)

3C
(Folded Channel/Zn)

Pump spacers

4A
Front view
(Cast iron/paint)

Pump spacers & Motor spacers

5A
(Folded Channel/Zn)

5B
(Solid bar/paint)

Motor spacer (Folded base)

6A
(Folded base/paint)

6B
(Folded base/Zn)

Specifications: Stays, Motor spacers, Pump spacers

Item	Description	Material	Finish	Style	Qty.	Applies to
095	Stay	Folded steel	Paint	-	1	1A
		Steel bar	Paint	Rectangular	2	3B,5B
161	Motor spacer	Folded steel	Zn plated	Channel (down)	2	3A,5A
			Zn plated	Channel (side)	2	3C
			Paint	Baseplate	1	6A
		Zn plated	Baseplate	1	6B	
		Cast iron	Paint	-	2,4,6	4A,5A,5B

Specifications subject to change without notice

Dealer